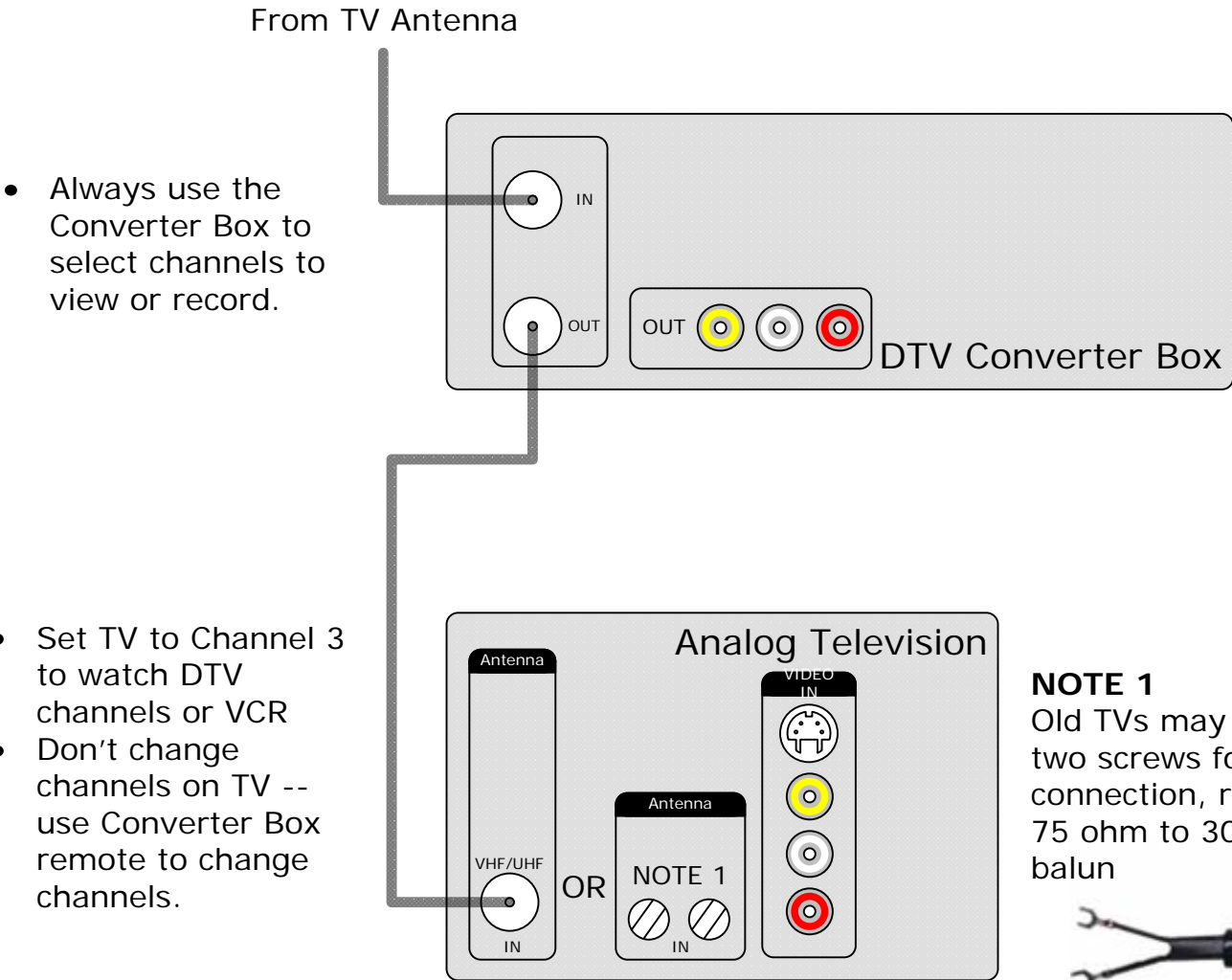
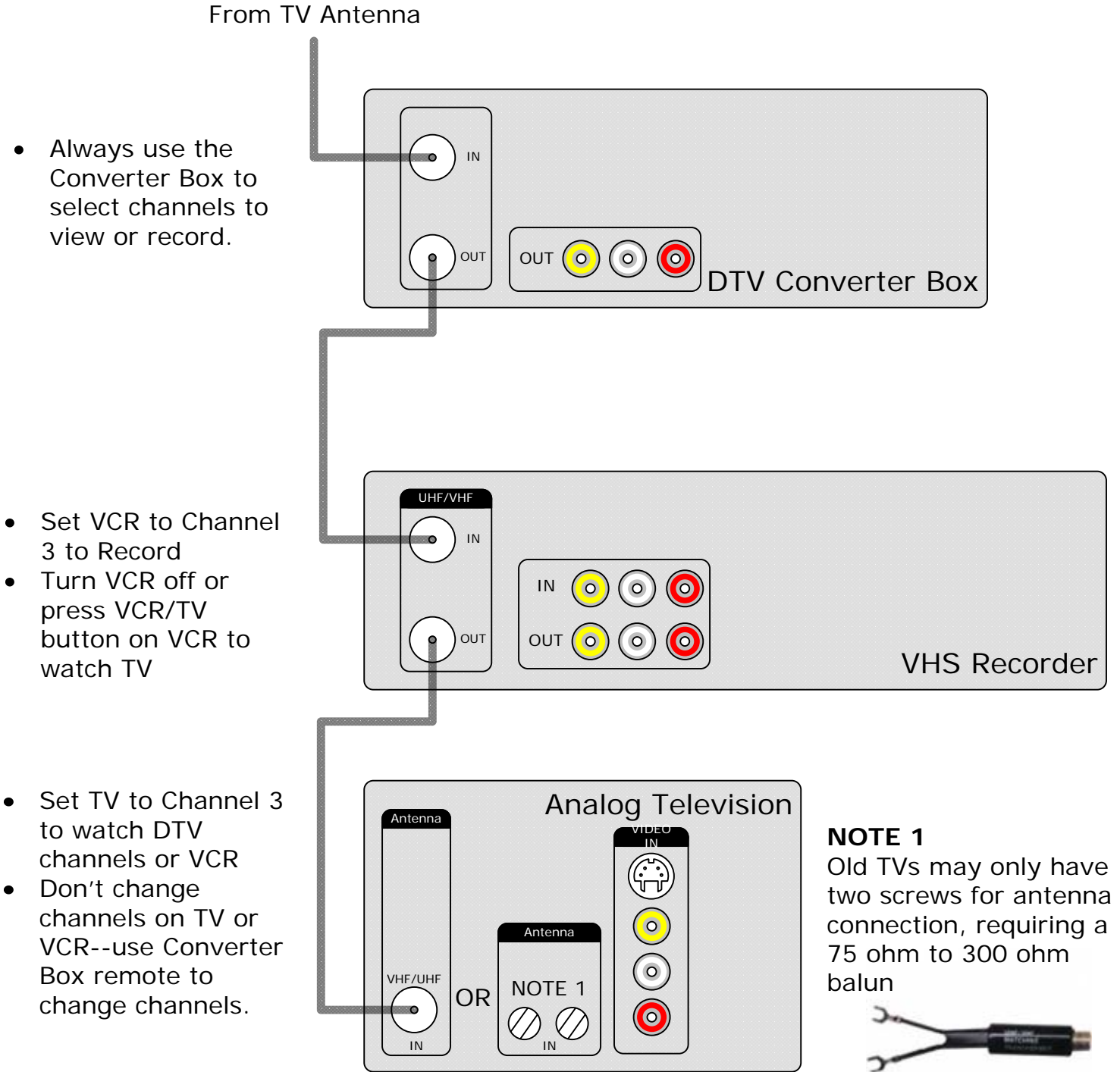


DTV Converter Box Connection using RF (screw-on) cables



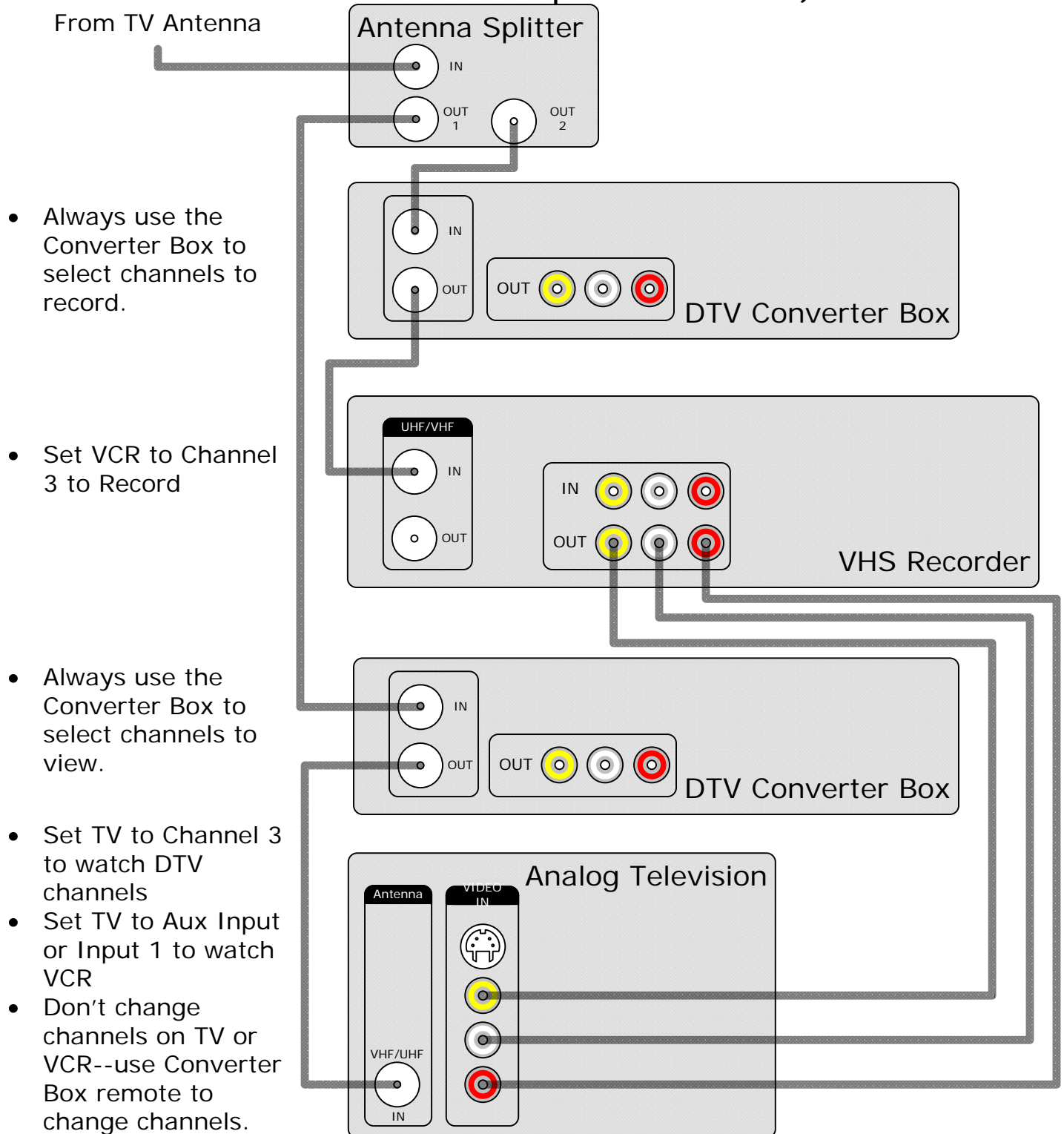
This is a basic setup diagram for connecting a DTV Converter Box and TV. Setup may be slightly different based on your equipment.

DTV Converter Box with VCR Connection using RF (screw-on) cables



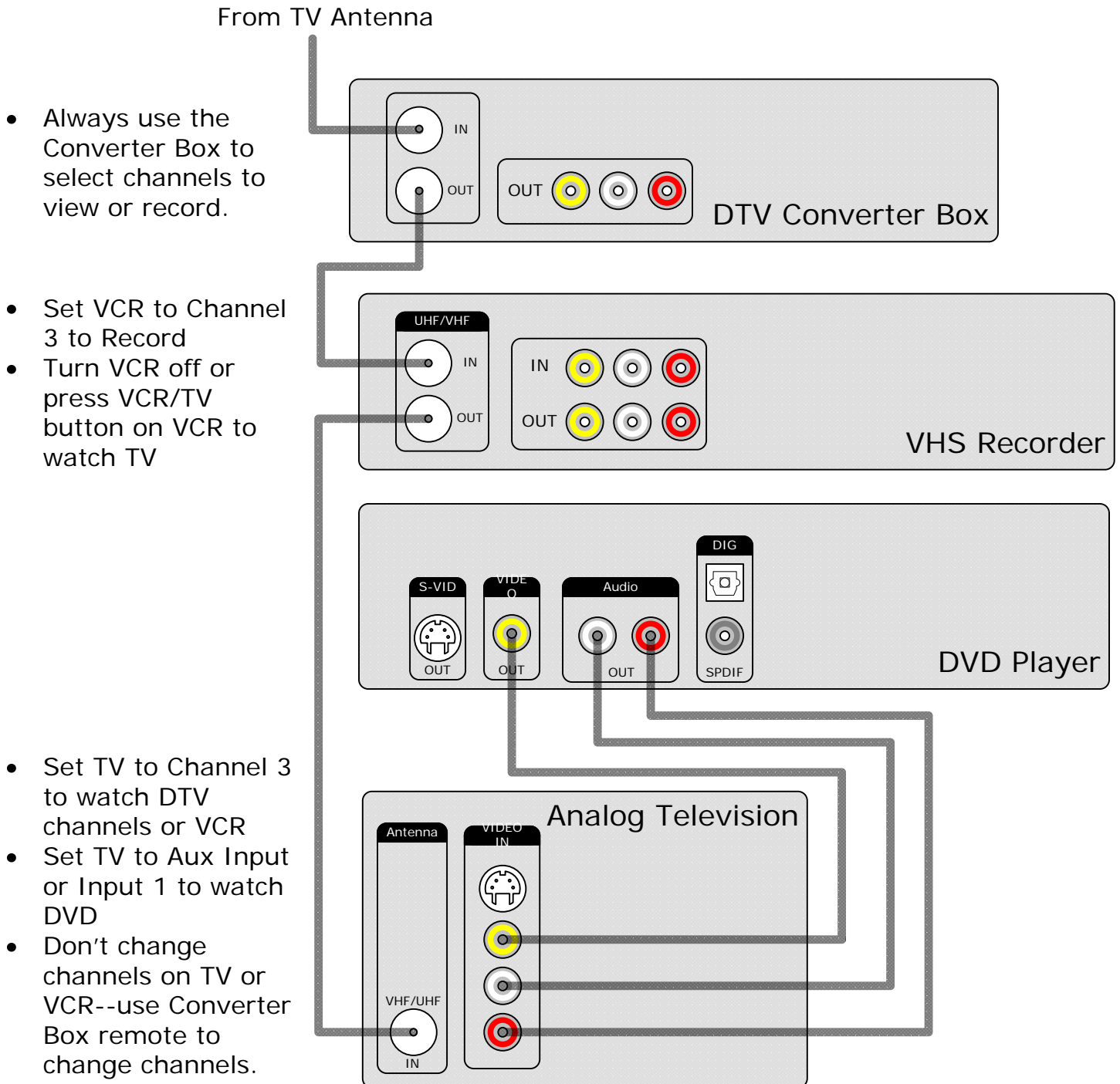
This is a basic setup diagram for connecting a DTV Converter Box, VCR and TV. Setup may be slightly different based on your equipment. With this setup you will not be able to watch one channel and record a different program. In order to do that you will need two DTV converter boxes.

Two DTV Converter Boxes with VCR Connection (uses both RF and component cables)



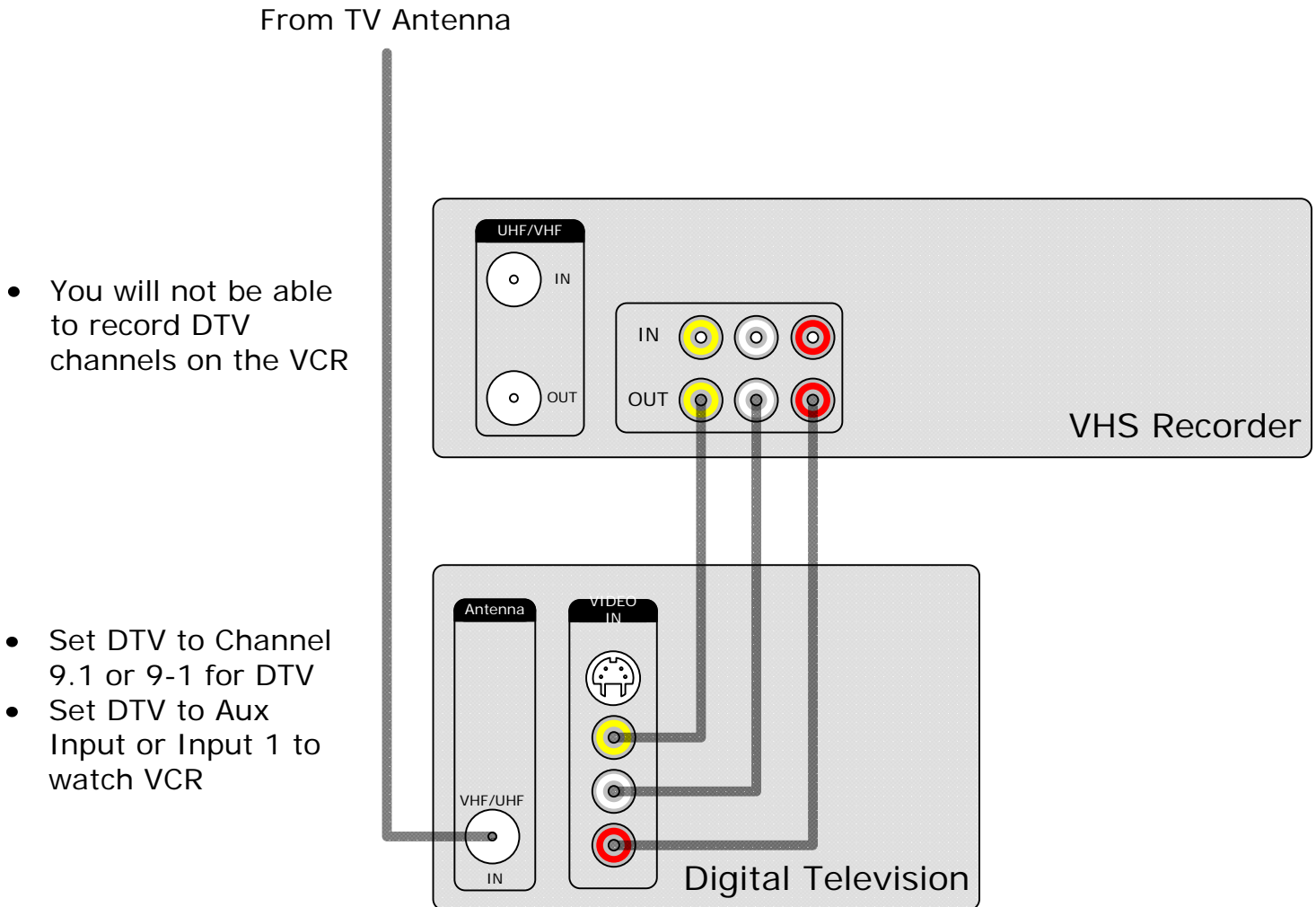
This is a basic setup diagram for connecting two DTV Converter Boxes to a VCR and TV in order to view and record from two different channels at once. If the DTV converter boxes are from the same brand, be aware that one remote will control both converter boxes. You should orient the boxes in a way that the box for VCR recordings doesn't receive the remote control commands. Setup may be slightly different based on your equipment.

DTV Converter Box with VCR & DVD Connection (uses both RF and component cables)



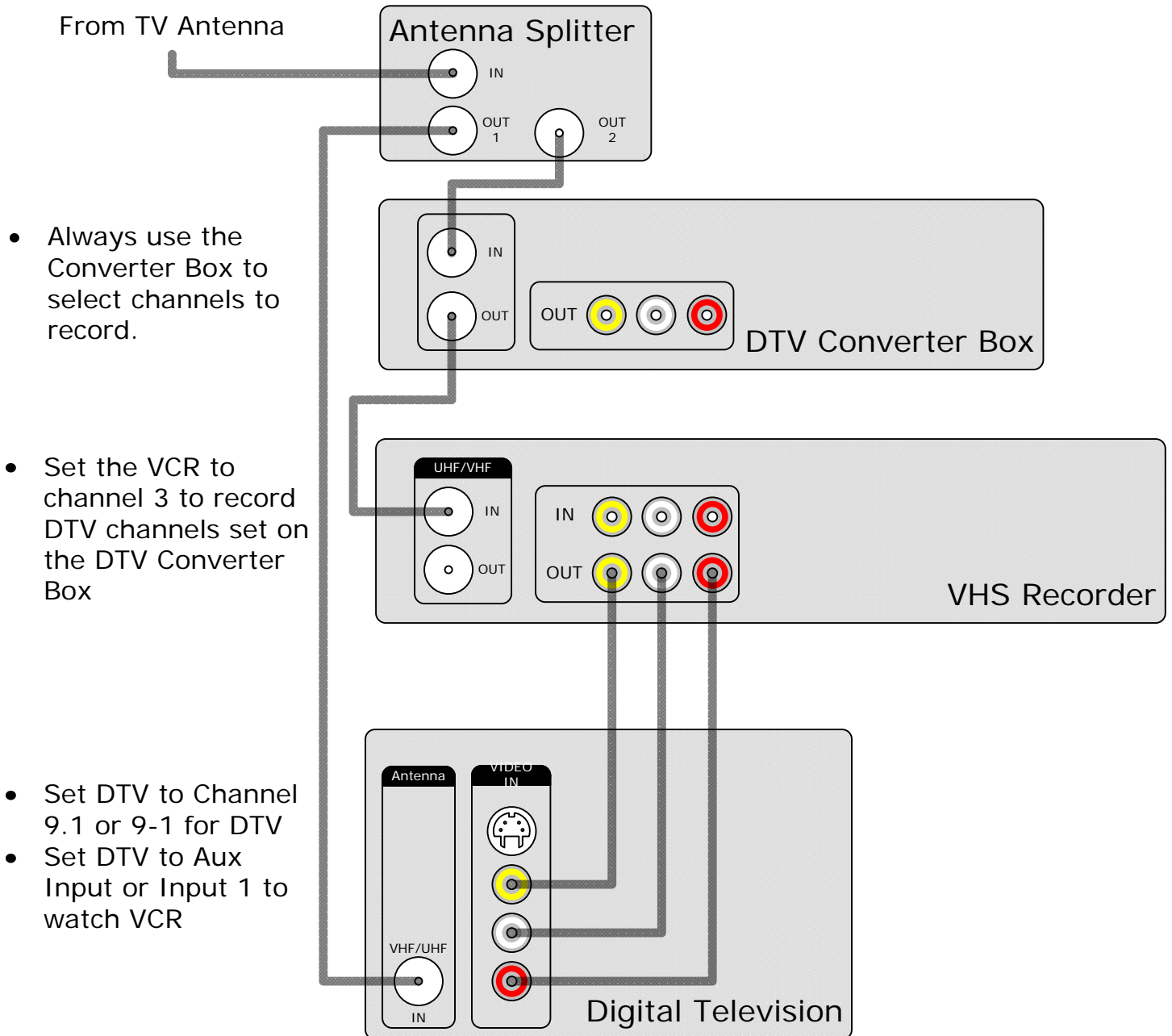
This is a basic setup diagram for connecting a DTV Converter Box, VCR, DVD Player and TV. Setup may be slightly different based on your equipment. With this setup, you can watch live television, the program you are recording on the VCR, or a DVD. To view live TV on one channel while recording a program on a different channel, you will need two DTV converter boxes.

Digital Television with VCR Connection using RF (screw-on) and Component Video & Audio (push-on) cables



This is a basic setup diagram for connecting a VCR and Digital TV using RF (screw-on) and Component (push-on) cables. This is not for connecting a DTV converter box. Setup may be slightly different based on your equipment. With this setup you will not be able to record DTV channels on VCR. The VCR is only for watching tapes.

Digital Television, VCR and DTV Converter Box Connection using RF (screw-on) and Component Video & Audio (push-on) cables



This is a basic setup diagram for connecting a Digital TV, VCR and a DTV Converter Box using RF and component cables, which allows you to watch DTV channels or record DTV channels with the VCR. Setup may be slightly different based on your equipment.